



Waterwise 8800™

Countertop Distillation System

USE & CARE GUIDE



See important safeguards on pages 2 and 3



An exclamation point within an equilateral triangle is intended to alert user to the presence of important operating, safety and maintenance instructions in the literature accompanying the appliance.



A lightning bolt within an equilateral triangle is intended to alert user to risk of injury from electric shock.



Water and steam vapor within an equilateral triangle is intended to alert user to risk of injury from hot, boiling water or steam.



IMPORTANT SAFEGUARDS

To prevent personal injury or property damage, read and follow the instructions and/or warnings in this Use & Care Guide. A person who has not read and understood all operating and safety instructions is not qualified to operate this appliance.

CAUTION: Basic safety precautions should always be followed to avoid risk of fire and electric shock. Because boiling water is generated in this appliance, basic safety precautions should always be followed to avoid risk of burns from hot steam and scalding water, especially when children are present.

HOUSEHOLD USE ONLY.

READ ALL INSTRUCTIONS BEFORE USE:



1. **WARNING:** Steam and hot, boiling water will scald the skin and result in severe burns. **ALWAYS** seek immediate medical attention for burns caused by hot, boiling water or steam. To avoid risk of severe burns:
 - **DO NOT** allow children or persons with reduced physical, sensory or mental capabilities to operate the Distiller.
 - **DO NOT** allow children near the Distiller without close supervision. Warn others of possible risks.
 - **DO NOT** remove kettle while Distiller is operating or cooling. Wait at least 30 minutes after the completed cycle before removing kettle or cover. If the cycle is interrupted, restart and allow cycle to complete or wait at least 5 hours before removing kettle from base unit.
 - **DO NOT** change position or location of Distiller while it is operating or cooling. Wait at least 30 minutes after the completed cycle before moving the Distiller. If the cycle is interrupted, wait at least 5 hours before moving the Distiller.
 - **DO NOT** operate in a moving conveyance such as RV or boat.
 - **DO NOT** use outdoors. Use **INDOORS** on a dry, level, well-supported, stable surface.
 - **DO NOT** place the Distiller on a tablecloth or too near the edge of the supported surface where it can be bumped or pulled down.
2. **DO NOT** attempt to make safe drinking water from non-potable water sources. **DO NOT** use with water that is microbiologically unsafe or of unknown quality without adequate disinfection before or after distilling. **DO NOT** use salt water. Appliance has not been tested or certified by the California Department of Public Health.
3. **ALWAYS** operate in a well-ventilated area away from other heat sources. Provide adequate air space (at least 4 inches from walls or cabinets) when in use.





4. **DO NOT** place, store, or stack anything on top of or against sides of Distiller while in operation.
5. **DO NOT** place on or near a hot gas or electric burner.
6. **ALWAYS** make sure collection/storage carafe is properly placed for water collection.
7. **DO NOT** operate without water in the kettle.
8. **DO NOT** fill kettle above the “MAX” lines. Overfilling kettle will jeopardize water quality and may result in damage to Distiller. To avoid risk of overfilling, use a pitcher to fill the kettle.
9. **DO NOT** use appliance for cooking, heating, humidifying, or any other purpose except distilling water.
10. **DO NOT** operate with damaged cord or plug, after a malfunction or if Distiller has been damaged in any manner. Return to an authorized dealer or qualified service facility for evaluation and repair.
11. The Distiller requires no special care other than general cleaning and periodic filter replacement. If servicing becomes necessary, please contact your authorized dealer or an authorized service facility. **DO NOT** attempt to repair the Distiller yourself. There are **NO** user serviceable parts inside. See warranty for service details.

ELECTRIC CORD STATEMENT



CAUTION: Your Distiller has a short cord as a safety precaution to prevent injury or property damage resulting from pulling, tripping or becoming entangled with the cord.

If you must use an extension cord, it must not drape or hang over the edge of a countertop or tabletop where it can be pulled on by children or tripped over. To prevent electric shock, injury, or fire, a polarized extension cord must be rated at least 800 watts and 10 amps.

Plug Distiller into a 120 volt polarized electrical outlet only. The cord has a polarized plug (one blade is wider than the other) designed to fit into a polarized outlet only one way. If plug does not fit fully into the outlet, reverse the plug. If it still does not fit, contact a qualified electrician. **DO NOT** modify the plug in any way.



DO NOT immerse power cord, kettle or base unit in water or liquid to avoid fire, electrical shock and injury to persons.

SAVE THESE INSTRUCTIONS

See It Work

www.waterwise.com



An interactive online guide for programming, using, and maintaining your distillation system.

PRODUCT SPECIFICATIONS

Rating 120 Volts / 60 Hz / 800 Watts

Filling Volume 1 gallon

Production Capacity .25 gallon/hour (1 liter/hour), 6 gallons/24 hours

This product has been tested to NSF/ANSI Standard 62 for the specific performance claims as verified and substantiated by test data. See Performance Data Sheet for test data obtained from an independent laboratory.

The physiological effects of the operation of this appliance, beneficial or otherwise, have not been investigated by Underwriters Laboratories Inc.

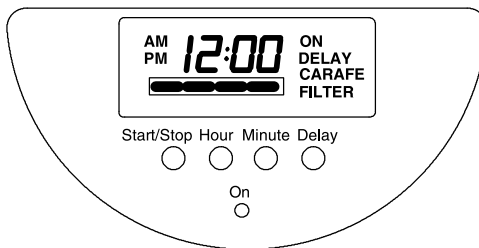
Distiller will produce any amount up to 1 gallon per cycle. If less than 1 gallon is wanted, fill kettle with desired amount. Distiller will automatically shut off when no water remains in kettle.

ELECTRONICS

See It Work

www.waterwise.com

FIGURE A



Control Buttons

From left to right the control buttons are “Start/Stop,” “Hour,” “Minute,” and “Delay” (fig. A).

Setting the Time Display

Hours

To move the hours forward by one hour, press the “Hour” button quickly once. To fast-forward the time, press for at least one second. After completion, the time display will blink for another five seconds before the time is finally set.

Minutes

To move the minutes forward by one minute, press the “Minute” button quickly once. To fast-forward the time, press for at least one second. After completion, the time display will blink for another five seconds before the time is finally set.

12-24 Hour Mode

Pressing the “Hour” and “Minute” buttons simultaneously for seven seconds enables changeover from 12 hour mode to 24 hour mode (or from 24 hour mode to 12 hour mode). In 12 hour mode the display shows AM or PM.

If power is interrupted the time will revert to 12:00 and will blink in the display window. Clock will continue to run but must be reset to show correct time.

Setting the Display Function/Checking Delay Status

The Delay Function allows the appliance to be programmed to start at a later time.

Setting or Changing Delay Start Time

Determine desired Delay Start Time before setting or changing.

Hours

Press “Delay” button once. Delay Start Time and “Delay” indicator appear in the display window and Delay Start Time will show 12:00 (or last delay time set).

Press the “Hour” button once, after which the hour figure blinks for three seconds in the display window. During these three seconds, hours can be forwarded one hour by pressing the “Hour” button once. By continuous pressing of the button, time can be fast-forwarded. After hour portion of delay time is set, clock will revert to current time in three seconds.

Minutes

Press “Delay” button once. Delay Start Time and “Delay” indicator appear in the display window and Delay Start Time will show 12:00 (or last delay time set).

Press the “Minute” button once, after which the minutes figure blinks for three seconds in display window. During these three seconds, minutes can be forwarded one minute by pressing the “Minute” button once. By continuous pressing of the button, time can be fast-forwarded.

If time is correctly set, after three seconds the current time reappears with “Delay” in the display. “Delay” indicates the delay time function is activated. To deactivate delay time function, press “Delay” button twice within a period of three seconds, or press “Delay” button once while in delay mode. After completion, “Delay” will not appear next to time in the display window.

Check Delay Time Status

Press the “Delay” button once. Delay Start Time appears in display window with “Delay” in the display. After three seconds the current time reappears.

Switching the Appliance On/Off

To turn Distiller on or off, press the “Start/Stop” button. When turning Distiller on, “On” appears in the display window and the “On” (red) light illuminates (fig. B). After turning Distiller off, the “On” light turns off.

Carafe Indicator

If carafe is not in correct position, or is removed from base unit during operation, “Carafe” indicator will appear in display window for 90 seconds. After 90 seconds the unit will shut off. To restart, place carafe in position and press “Start/Stop.”

Kettle Indicator

If the kettle is not correctly positioned when you turn the Distiller on, the “On” light (fig. B) will blink and the unit will shut off.

Carbon Filter Indicator

The Carbon Filter Indicator shows four status bars to indicate filter life (fig. B). Four bars indicate a new filter and zero bars indicate that filter needs to be changed. In addition to bars, the “Filter” indicator will flash in the display when filter needs to be changed. To reset Filter Status Bars to new filter status, press and hold “Delay” button for seven seconds.

FIGURE B

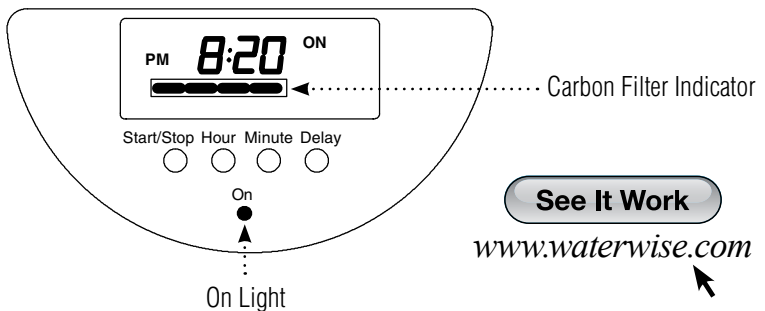
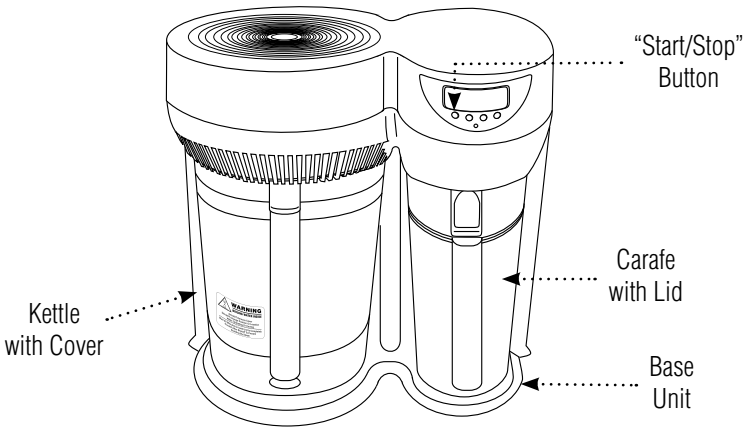


FIGURE C



PREPARING FOR FIRST TIME USE



IMPORTANT: DO NOT immerse base unit, kettle or power cord in water.

Clean Kettle

- Remove kettle from base unit.
- Remove kettle cover by twisting counterclockwise, then lift.
- Wash inside of kettle with soap and warm water.
- Rinse thoroughly.

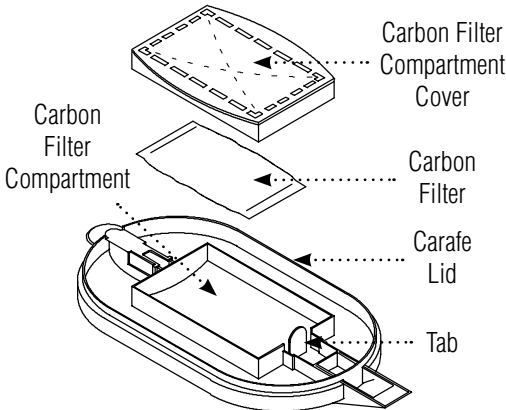
Clean Carafe

- Remove carafe from base unit and remove lid.
- Pull tab on bottom of lid to release carbon compartment cover (fig. D).
- Wash carafe and cover with soap and warm water.
- Rinse thoroughly.

Carbon Filter Preparation

Distillation System uses a carbon filter in the carafe cover as a final “polishing” treatment to remove traces of odors before distilled/filtered water is collected in carafe. Unit may be operated with or without carbon filter.

FIGURE D

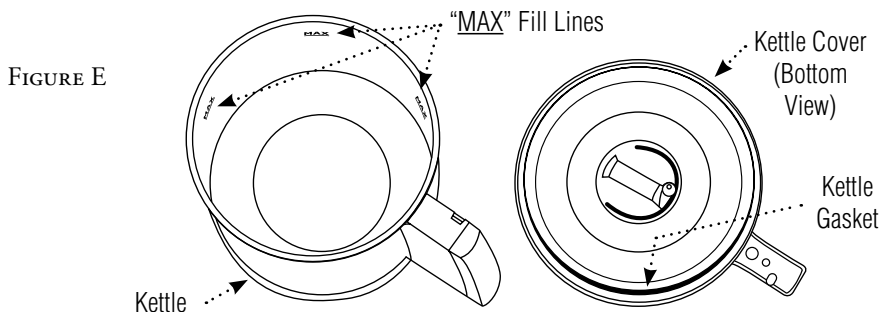


- Wash your hands with soap and warm water.
- Remove filter from plastic bag.
- Fill a clean container with distilled or boiled tap water.
- Slowly immerse a narrow end of the filter bag into the water. *(continued)*

- Once the bottom quarter (1/4) is wet, slowly immerse entire bag, squeezing gently to remove air. If the bag “puffs up,” you are immersing it too quickly.
- After the bag has been immersed, remove from the water and rinse it by pouring more distilled water over bag to remove any carbon fines (dust).

Install Filter

Be sure carbon is evenly distributed within bag, then place bag in filter compartment (fig. D). Replace cover on compartment and place lid on carafe. Discard first gallon of distilled water as it may contain small, harmless carbon fines.



USING THE COUNTERTOP DISTILLER

Operational maintenance and replacement requirements are essential for this product to perform as advertised.



1. Set Distiller on a dry, level, well-supported, stable surface.
2. Rinse and fill kettle to “MAX” lines with approximately 1 gallon of ordinary tap water. **DO NOT** fill above “MAX” fill lines (fig. E).
3. Replace kettle cover. Twist clockwise to lock. Slide kettle into base unit and press firmly to ensure kettle is properly placed (fig. C).
4. Place carafe on base unit and plug power cord into a polarized 120 volt outlet.
5. Press the “Start/Stop” button to turn Distiller on (fig. C). The “On” light will illuminate and fan motor will start. When cycle is complete (approximately four hours for 1 gallon), Distiller turns off automatically.



WARNING: Never remove the kettle while the fan motor is running or for 30 minutes after a completed cycle. If cycle is interrupted, restart and allow cycle to complete or wait at least 5 hours before removing the kettle to allow water to cool.

6. Discard first gallon of distilled water as it may contain some harmless matter from manufacturing and/or packaging.

7. Rinse kettle thoroughly before refilling.
8. To pour water from carafe, open spout by pulling on center strip in direction of arrow indicator near thumb position.
9. Water may be stored in carafe in the refrigerator.

MAINTENANCE



WARNING: Always unplug power cord from electrical outlet and allow unit to completely cool before cleaning or servicing distiller.

Replace Filter

The filter should be replaced as indicated by filter status bar (every two to three months). Replace more often should the distilled water begin to have an unwanted taste or odor. Reset the filter status bar by pressing and holding the “Delay” button (fig. A) for seven seconds. Discard first gallon of distilled water as it may contain small, harmless carbon fines. Order replacement filters from the source where you purchased your Distillation System.

Cleaning Kettle

Before or after every distillation cycle, rinse inside of the kettle with lukewarm tap water and remove any loose residue. Clean by wiping out the inside of the kettle with a damp cloth and rinse. If scale starts to form at the bottom, use an approved cleaner/descaler such as KLEENWISE to remove deposits. Diluted white vinegar or automatic coffee pot cleaner can also be used. **Residue buildup on the bottom of the kettle may prevent the Distiller from operating.** To descale, remove kettle from base unit.

Fill kettle with hot water until water covers scale and follow the instructions on the cleaner container. Use a soft plastic or nylon scouring pad if needed.

DO NOT use abrasive cleansers, caustic acids, steel wool pads, or metal utensils. Rinse thoroughly after cleaning. **DO NOT** operate Distiller with a cleaning solution in kettle.



Cleaning Carafe

Clean with mild dish detergent and soft cloth. Rinse thoroughly. **DO NOT** use carafe to store liquids other than distilled water. Other liquids may transfer a taste or odor.

Cleaning Exterior Surfaces

To keep your Distiller looking new, periodically clean the exterior plastic surfaces with a soft, damp cloth. **DO NOT** use any caustic cleaning solutions, scouring pads or powders because they will damage the plastic finish.



IMPORTANT: DO NOT immerse base unit, kettle or power cord in water. There are **NO** user serviceable parts inside Distiller. Contact qualified service personnel for repair if the troubleshooting tips fail.

TROUBLESHOOTING TIPS

Not making distilled water

1. Power cord not plugged into electrical outlet.
2. No power to electrical outlet.
3. Kettle not plugged into base unit receptacle.
4. Did not press “Start/Stop” button to start cycle.
5. Did not fill the kettle with water.
6. Carafe is not in position.
7. Kettle bottom has residue/scale buildup.
8. Power supply has been interrupted.

Not making enough water each batch

1. Did not fill kettle with water to “MAX” lines.
2. Carafe is not in correct position.
3. Kettle cover is not locked into position (page 8).
4. Kettle bottom has residue/scale buildup.

Flashing Indicator

1. “Carafe” flashing in display indicates carafe is not in position.
2. Flashing “On” light indicates kettle is not in position.
3. “Filter” flashing in display: replace filter and reset Filter Status Bars.
4. Time flashing in display indicates power supply has been interrupted.

Water Leaks

1. Kettle cover is not locked into position (page 8).
2. Kettle gasket damaged or missing.
3. Kettle filled above “MAX” lines (page 8).
4. Airflow restricted around Distiller.
5. Water receptacle in carafe lid is not open.
6. Fan not working.

REPLACEMENT PARTS & ACCESSORIES

<u>Description</u>	<u>Part #</u>
<u>1 Gallon Replacement Carafe</u>	<u>8860</u>
<u>Carbon Filter Replacement Single</u>	<u>8601</u>
<u>Carbon Filter Replacement 6 Pack</u>	<u>8606</u>
<u>Gasket for Kettle</u>	<u>8646</u>
<u>Kleenwise Cleaner/Descaler</u>	<u>1003</u>

PRACTICAL USES FOR CLEAN DISTILLED WATER

Drinking...

it's healthy and delicious

Complexion Care...

daily cleansing without pore clogging impurities

Cooking...

enhances natural taste and appearance without unsavory chemicals

Aquariums...

fish thrive in a clean, clear, chlorine-free tank

Houseplants...

*eliminate brown tips on foliage and salt deposits on flower pots—
enjoy blooms longer*

Coffee, Tea & Cocoa...

you'll enjoy truer, richer flavors while using less

Fruit Juices...

experience the freshly squeezed, natural flavor

Low Sodium Diets...

up to 99.9% sodium free

Steam Irons & Humidifiers...

no damaging scale buildup means longer product life

Ice Cubes...

crystal clear and sparkling—won't spoil your drink

Pet Care...

pets will enjoy the same benefits people do

Baby Formulas...

pure enough for formulas, inhalation therapy and herbal tinctures

and many other uses you'll discover...

WARRANTY REGISTRATION CARD



Please fill out and return the enclosed registration card or register online at: www.waterwise.com/warranty (scan the QR Code)

Registration will not affect warranty coverage, but may expedite processing of your warranty. Registration is the only way to assure you will be notified by Waterwise if any issues arise concerning this product.

OWNER'S LIMITED WARRANTY

Waterwise warrants to the original purchaser that this product will be free from defects in materials and workmanship, excluding the disposable carbon filter, for a period of one (1) year from the date of purchase. Defects or failures due to shipping/handling, improper use or maintenance, including abuse or neglect, normal wear, water conditions, accidents, alterations or modifications, or unauthorized repair are specifically excluded from this warranty. No dealer, distributor, agent, representative, or other person is authorized to extend or expand this warranty.

Waterwise is not responsible or liable for personal injury, property damage, or incidental or consequential damages arising out of, or in connection with, the use or performance of the product or other damages with respect to loss of use. It is the responsibility of the user to ensure this product is installed in a location and used in a manner that is appropriate for its intended use.

Waterwise will, at its option, replace or repair the defective part(s) without charge, provided they are returned, transportation prepaid by owner, to an authorized service facility or to the address below. Enclose a letter describing the problem.

This limited warranty does not guarantee uninterrupted service. Repair or replacement as provided under this warranty is the exclusive remedy of the purchaser. This limited warranty is in lieu of all other warranties, expressed or implied, including, but not limited to, any implied warranty of merchantability or fitness for a particular use or purpose. This warranty gives you specific legal rights and you may also have other rights which vary from state to state or province to province.

Outside the United States, a different warranty may apply. For details, please contact your authorized Waterwise distributor.



3608 Parkway Blvd • Leesburg Florida 34748-9399 • (352) 787-5008 • Fax: (352) 787-8123
www.waterwise.com • E-mail: service@waterwise.com